

# MIFARE Classic EV1 Credentials

## Datasheet



### Introduction

Rosslare offers a large selection of high-quality, long-lasting credentials that are compatible with today's most popular devices and are recognized for their high number of possible reads. The 13.56 MHz MIFARE Classic® EV1 smart card credentials have high quality and range. They are ideally suited for a variety of applications and environments while keeping the solution cost-effective.

### General Description

The 13.56 MHz MIFARE Classic EV1 smart card credentials contain an original NXP chip inside. The smart card credentials are available as an ISO card or in a key FOB form factor. For the ISO card, a photo ID image can be directly printed on the card by inkjet or it can be added via thermal transfer. For a key FOB, programmable laser engraving of an ID and the facility code is available.

### Open to Secure (O2S)

The Rosslare's O2S platform comprises a highly secured line of card readers compliant with existing access control systems. The platform allows readers and credentials to be preconfigured with distinct custom keys and security configuration during production. This helps to further reduce cost of ownership. Thus, Rosslare MIFARE Classic EV1 credentials come preformatted and preprogrammed with Rosslare Open to Secure (O2S) technology, or the credentials can be unprogrammed.

Using the Rosslare CP-R26 desktop programmer and AS-B01 software configuration tool, customers can make MIFARE Classic EV1 credentials with user data.

### Main Features

- Original NXP chip inside
- 13.56 MHz Smart card technology
- Available in 1K and 4K memory size
- Fixed memory structure
- Data transfer speeds of 106 kbit/s
- ISO card form factor with optional inkjet printing
- Shark, twist, and ring key fob form factors with optional laser engraving

## Catalog List - 4UID

Part Number	Type	Memory Size	Form Factor	Credential Format	ID Printing
AT-D1S-000-0001	Not Programmed	1K	ISO Card (PVC)	Not Programmed	No ID Printed
AT-D4S-000-0001		4K			
AT-D1K-000-0SB0	Not Programmed	1K	Key FOB (Shark)	Not Programmed	No ID Printed

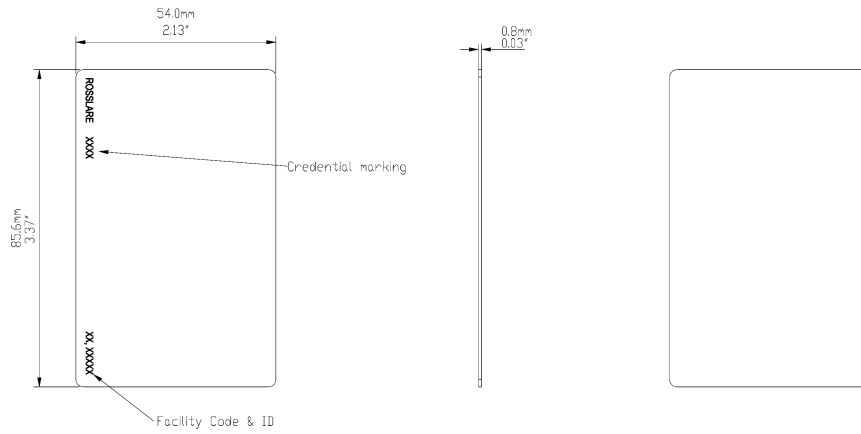
## Catalog List - 7UID

Part Number	Type	Memory Size	Form Factor	Credential Format	ID Printing
AT-C1S-000-E000	Not Programmed	1K	ISO Card (PVC)	Not Programmed	No ID Printed
AT-C1S-000-0000	Not Programmed	1K	ISO Card (PVC)	Not Programmed	No ID Printed
AT-C4S-000-0000		4K			
RT-C1S-26A-3000	O2S Rosslare Keys	1K	ISO Card (PVC)	Rosslare Wiegand 26-bit	Inkjet - FC & Card ID (decimal)
RT-C4S-26A-3000		4K			
RT-C1S-38A-3000	O2S Rosslare Keys	1K	ISO Card (PVC)	Rosslare Wiegand 38-bit	Inkjet - FC & Card ID (decimal)
RT-C4S-38A-3000		4K			
AT-C1K-000-0SB0	Not Programmed	1K	Key FOB (Shark)	Not Programmed	No ID Printed
AT-C4K-000-0SB0		4K			
RT-C1K-26A-7SB0	O2S Rosslare Keys	1K	Key FOB (Shark)	Rosslare Wiegand 26-bit	Laser Engraving - FC & Card ID (decimal)
RT-C4K-26A-7SB0		4K			
RT-C1K-38A-7SB0	O2S Rosslare Keys	1K	Key FOB (Shark)	Rosslare Wiegand 38-bit	Laser Engraving - FC & Card ID (decimal)
RT-C4K-38A-7SB0		4K			
AT-C1K-000-0RB0	Not Programmed	1K	Key FOB (Ring)	Not Programmed	No ID Printed
AT-C4K-000-0RB0		4K			
RT-C1K-26A-7RB0	O2S Rosslare Keys	1K	Key FOB (Ring)	Rosslare Wiegand 26-bit	Laser Engraving - FC & Card ID (decimal)
RT-C4K-26A-7RB0		4K			
RT-C1K-38A-7RB0	O2S Rosslare Keys	1K	Key FOB (Ring)	Rosslare Wiegand 38-bit	Laser Engraving - FC & Card ID (decimal)
RT-C4K-38A-7RB0		4K			
AT-C1K-000-0TB0	Not Programmed	1K	Key FOB (Twist)	Not Programmed	No ID Printed
AT-C4K-000-0TB0		4K			
RT-C1K-26A-7TB0	O2S Rosslare Keys	1K	Key FOB (Twist)	Rosslare Wiegand 26-bit	Laser Engraving - FC & Card ID (decimal)
RT-C4K-26A-7TB0		4K			
RT-C1K-38A-7TB0	O2S Rosslare Keys	1K	Key FOB (Twist)	Rosslare Wiegand 38-bit	Laser Engraving - FC & Card ID (decimal)
RT-C4K-38A-7TB0		4K			

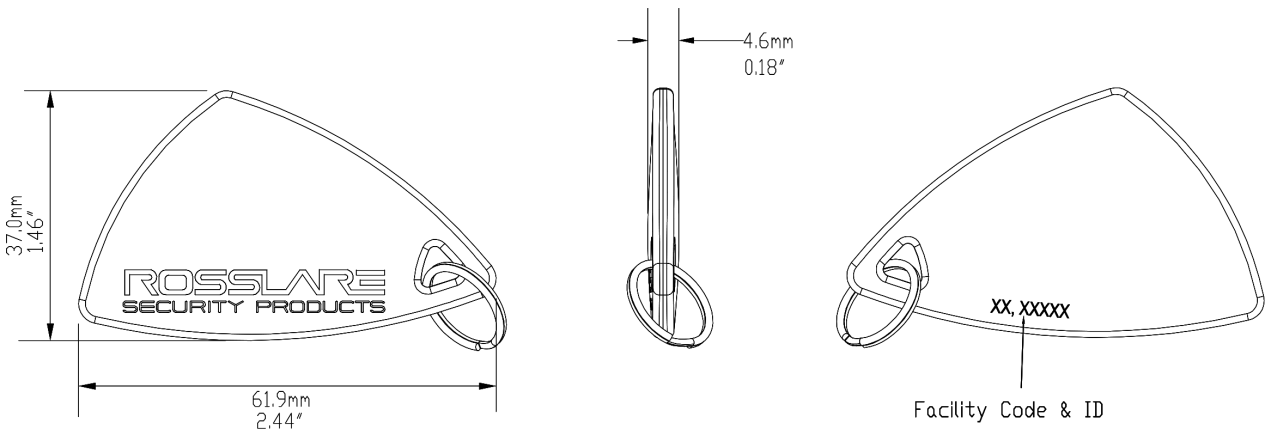
## Technical Specifications

OPERATING	ISO Card	Key FOB (Shark)	Key FOB (Ring)	Key FOB (Twist)
Frequency	13.56 MHz	13.56 MHz	13.56 MHz	13.56 MHz
Read Range	20 mm to 60 mm (0.8 in. to 2.4 in.)	Within 30 mm (1.18 in.)	Within 30 mm (1.18 in.)	Within 30 mm (1.18 in.)
ENVIRONMENTAL	ISO Card	Key FOB (Shark)	Key FOB (Ring)	Key FOB (Twist)
Operating Temperature Range	-10°C to 50°C (14°F to 122°F)	-20°C to 50°C (-4°F to 122°F)	-20°C to 50°C (-4°F to 122°F)	-20°C to 50°C (-4°F to 122°F)
Operating Humidity Range	0% to 90% (non-condensing)	0% to 90% (non-condensing)	0% to 90% (non-condensing)	0% to 90% (non-condensing)
Operating Storage Range	-20°C to 50°C (-4°F to 122°F)	-20°C to 50°C (-4°F to 122°F)	-20°C to 50°C (-4°F to 122°F)	-20°C to 50°C (-4°F to 122°F)
PHYSICAL	ISO Card	Key FOB (Shark)	Key FOB (Ring)	Key FOB (Twist)
Material Type	PVC	PC	PC	PC
Color	White	Black	Black	Black
Surface Finish	Glossy	EDM Texture	EDM Texture	EDM Texture
Dimensions (H x W x D)	85.6 × 54.0 × 0.8 mm (3.37 x 2.13 x 0.03 in.)	37.0 × 61.9 × 4.6 mm (1.46 x 2.44 x 0.18 in.)	50.1 × 41.0 × 6 mm (1.97 x 1.61 x 0.24 in.)	44.0 × 35.0 × 8.1 mm (1.73 x 1.38 x 0.32 in.)
Weight	5.7 g (0.2 oz)	4.7 g (0.2 oz)	3.8 g (0.1 oz)	5.9 g (0.2 oz)

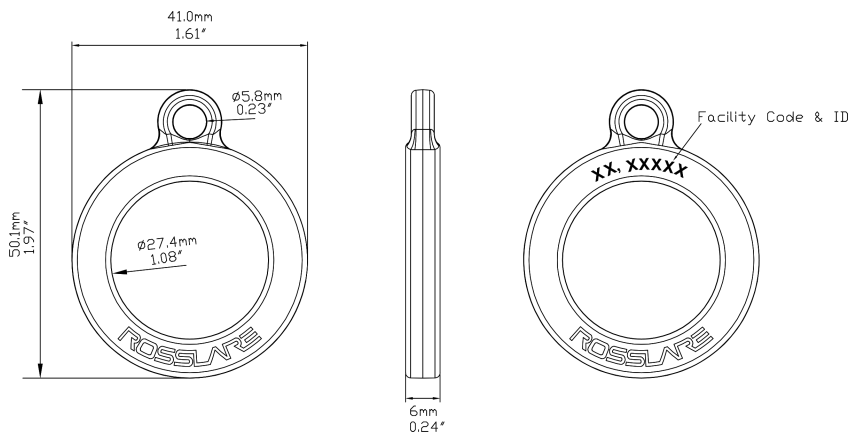
**ISO Card**



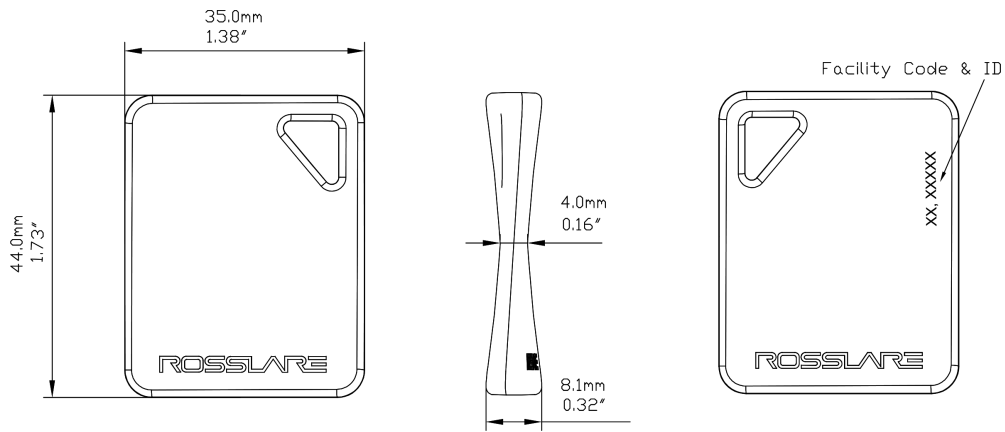
**Key FOB (Shark)**



**Key FOB (Ring)**



Key FOB (Twist)



• EN ISO 13485



MIFARE and MIFARE Classic are trademarks of NXP B.V. | Open to Secure® and O2S® are registered trademarks of Rosslare Enterprises Ltd. | All product names, logos, and brands are property of their respective owners.

**DISCLAIMER:** The data contained within Rosslare's materials or documentation is intended to provide only general information about products available for purchase from Rosslare Enterprises Ltd. and its associated companies ("Rosslare"). Reasonable efforts have been made to ensure the accuracy of this information. However, it might contain typographic errors, inaccuracies, or omissions that may relate to product descriptions, visual pictures, specifications, and other details. All technical specifications weights, measures and colors shown, are best approximations. Rosslare can not be held responsible and assumes no legal liability for the accuracy or completeness of the information provided. Rosslare reserves the right to change, delete, or otherwise modify the information, which is represented, at any time, without any prior notice.

© 2022 Rosslare Enterprises Ltd. All rights reserved.

For more information regarding support, visit <https://support.rosslaresecurity.com>.