

MD-25TB

Secure Relay I/O Module

Installation Manual

1. Introduction

The MD-25TB is a Secure Relay I/O Module for use with Rosslare's Secure Stand-Alone Controller Unit. The secure module provides power to the Controller Unit. The Controller Unit communicates with the secure module through a Rosslare proprietary protocol, providing instructions to activate the lock/auxiliary relays and a built-in speaker (with bell and siren tones). The secure module also communicates the REX input status to the Controller Unit. A red LED indicates the secure module power status. The secure module includes removable terminal blocks for ease of wiring and installation.

The MD-25TB isolates the lock from the Controller Unit, securing lock functionality even if the Controller Unit is tampered with. If the data line between the Controller Unit and the secure module is cut, the system detects the data line has been tampered with and generates a one-minute siren and closes the lock output. In addition, the auxiliary relay can be activated by the Controller Unit.

The MD-25TB is designed to be used together with Rosslare's

ME-0515 Multipurpose Power Management Enclosure, providing optimum performance and convenience together with universal AC input and a UPS using a Sealed Lead Acid backup battery.

Figure 1: MD-25TB



2. Technical Specifications

2.1 Electrical Characteristics

Input	12 VDC, 2 A
Output	12 VDC, 0.25 A
Auxiliary Output	5 A Form C, SPDT Relay Max Switched Current: 5 A Max Switched Voltage: 150 VDC or 300 VAC UL Rating: 5 A at 30 VDC or 5 A at 125 VAC
Speaker Output	0.25 W, 8 Ω (minimum)
LED indicators	Power status: <ul style="list-style-type: none"> Red – power on Off – power off

2.2 Environmental Characteristics

Operating Environment	Indoor
Operating Temperature Range	-10°C - 50°C (14°F - 122°F)
Operating Humidity Range	0% - 85% (non-condensing)

2.3 Physical Characteristics

Dimensions (H x W x D)	228 x 224 x 84 mm
Weight	0.155 kg

3. Wiring

Refer to the wiring diagrams below.

Figure 2. General Wiring Diagram

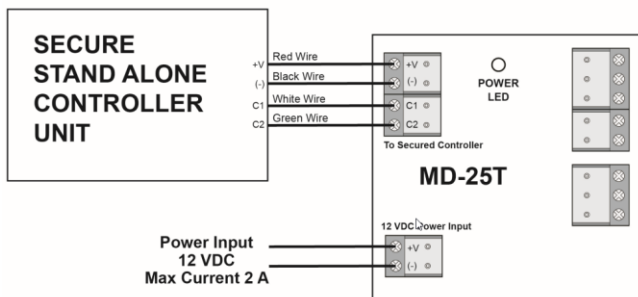


Figure 3. Lock & REX Switch Wiring Diagram

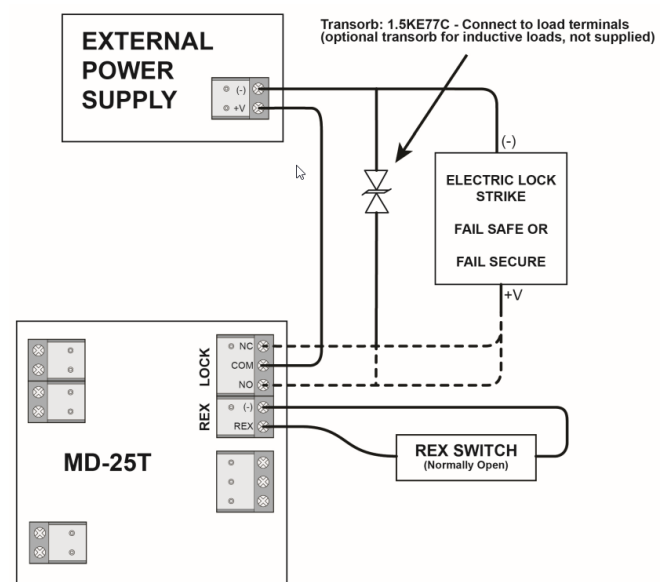
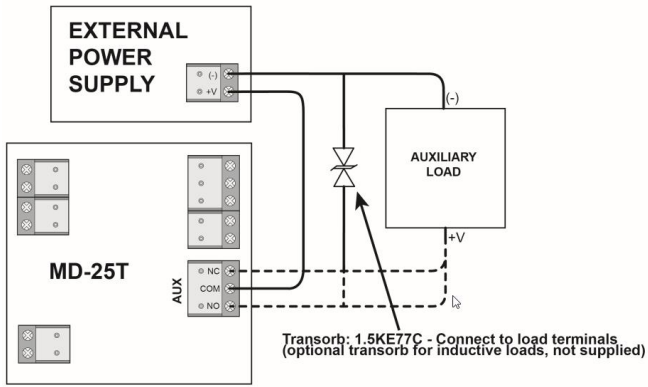


Figure 4. Auxiliary Load Wiring Diagram



Limited Warranty

The full ROSSLARE Limited Warranty Statement is available in the Quick Links section on the ROSSLARE website at www.rosslaresecurity.com.

Rosslare considers any use of this product as agreement to the Warranty Terms even if you do not review them.

Contact Information

United States and Canada

Rosslare Security Products, Inc.
Southlake, TX, USA
Toll Free: +1-866-632-1101
Local: +1-817-305-0006
Fax: +1-817-305-0069
support.na@rosslaresecurity.com

Europe

Rosslare Israel Ltd.
Rosh HaAyin, Israel
Tel: +972-3-938-6838
Fax: +972-3-938-6830
support.eu@rosslaresecurity.com

Latin America

Rosslare Latin America
Buenos Aires, Argentina
Tel: +54-11-4001-3104
support.la@rosslaresecurity.com

China

Rosslare Electronics (Shenzhen) Ltd.
Shenzhen, China
Tel: +86-755-8610-6842
Fax: +86-755-8610-6101
support.cn@rosslaresecurity.com

Asia Pacific, Middle East, Africa

Rosslare Enterprises Ltd.
Kowloon Bay, Hong Kong
Tel: +852-2795-5630
Fax: +852-2795-1508
support.apac@rosslaresecurity.com

India

Rosslare Electronics India Pvt Ltd.
Tel/Fax: +91-20-40147830
Mobile: +91-9975768824
sales.in@rosslaresecurity.com



• EN ISO 13485



ROSSLARE
SECURITY PRODUCTS